

Driving light with position light

Technical specifications:

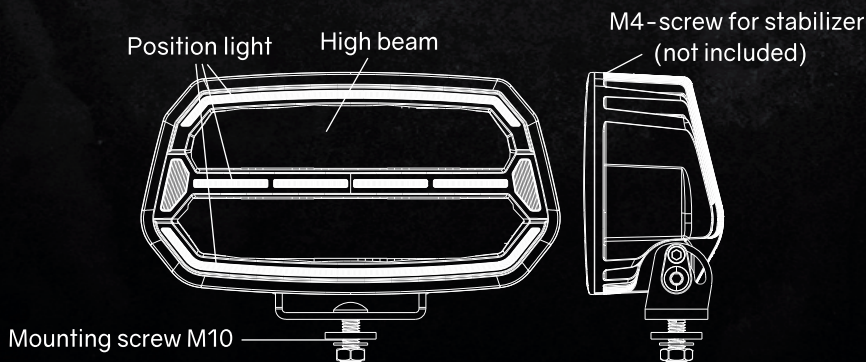
- Driving light with E-approved mode (standard) and power boost mode for full output
- Selectable white or amber position light
- 9-36 VDC

Read the instructions carefully before mounting and installing the driving light!

1. NOTE! The driving light becomes very hot during use – be careful not to burn yourself
2. Keep the cooling fins clean and unobstructed to maintain proper cooling
3. Check local laws regulating auxiliary lights to ensure proper installation and usage
4. Disconnect the ground connection from the battery (marked “-”) to avoid accidental short circuits before connecting any new wiring
5. Route the new cables alongside existing ones, using tape or zip ties if necessary. Make sure the cables are not near any moving or hot parts in the engine bay

Mounting and installation

1. Drill a 10.5 mm hole for the mounting screw in the surface where you want to install the light
2. First place the washer, then securely tighten the nut
3. Connect the cables as follows:
 - **Black:** Ground “-” – Connect to the battery’s negative terminal or a chassis ground point
 - **Red:** High beam “+” – Connect to the vehicle’s high beam via a suitable relay and possibly a switch
 - **White:** White position light “+” (optional) – Connect to the vehicle’s position light or a switch. If both the white and yellow wires receive power simultaneously, only the amber position light will illuminate (priority)
 - **Yellow:** Orange position light “+” (optional) – Connect to the vehicle’s position light or a switchB



33491260 / 33491261

Powerboost

Your driving light is delivered in E-approved mode by default, but can easily be switched to power boost mode for extra brightness (not E-approved). The light features a memory function and will always turn on in the last used mode.

Two different power modes

Within the EU, regulations on how bright a vehicle's high beam may vary. That's why this driving light features two power modes. The default mode (E-approved) is adapted to meet the strictest requirements. In certain countries, or off-road where these regulations do not apply, the light can be switched to a mode with maximum brightness (power boost) to deliver full performance and make full use of the product's capabilities.

Easily switch power mode using the high beam lever with these steps:

Step 1: Park the vehicle facing a wall with the engine running

Step 2: Set the light switch to the parking light position

Step 3: Keep the high beam on for at least 30 seconds – then turn it off

Step 4: Turn on the high beam for 8 seconds – then turn it off

Step 5: Flash the high beam steadily 10 times (within 10 seconds)

Step 6: Turn on the high beam for 8 seconds – during this time, the driving light will switch power mode

Step 7: Finish by returning the light switch to its original position



One or more driving lights have ended up in different power modes

To set all units to E-approved mode:

Step 1: Park the vehicle facing a wall with the engine running

Step 2: Set the light switch to the parking light position

Step 3: Using the high beam lever, keep the driving light on for 13 seconds

Step 4: Flash the high beam steadily 20 times (within 15 seconds)

Done! All driving lights are now set to E-approved mode, and you can proceed with steps 1 to 7 above if needed

Need help?
Videos, advice and more

